



Clean Water Solutions

Advanced Water Conditioners

Featuring the Custom Control CC Valve



Certified to NSF/ANSI 44, 61 and 372.

shown with optional bypass

OWNER'S MANUAL

FOR ALL CLEAN WATER SOLUTIONS SERIES WATER CONDITIONERS

THIS MANUAL IS TO BE LEFT WITH THE OWNER OF THE EQUIPMENT FOR REFERENCE PURPOSES AND TECHNICAL GUIDANCE. IT IS STRONGLY RECOMMENDED THAT QUALIFIED CLEAN WATER SOLUTIONS SERVICE PERSONELLE BE CONTACTED IN THE EVENT OF AN UNKNOWN INTERRUPTION OF SERVICE OR APPARENT PRODUCT MALFUNCTION. AN ANNUAL PREVENTATIVE MAINTENACE INSPECTION BY A CLEAN WATER SOLUTIONS PROFESSIONAL IS RECOMMENDED TO ENSURE TROUBLEFREE AND CONTINUOUS OPERATION.

705-494-0605

info@CleanWaterSolutions.ca

www.CleanWaterSolutions.ca

MANUAL REGENERATION

NOTE: For softeners, if brine tank does not contain salt, fill with salt and wait at least 2 hours before regeneration.

If you need to initiate a manual regeneration, either immediately, or tonight at the preprogrammed time for regeneration (typically 2:00 AM), complete the following steps.

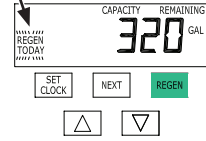
For Immediate Regeneration:

Press and hold "REGEN" until valve motor starts (typically 3 seconds).

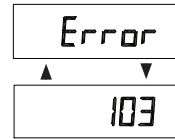
For Regeneration Tonight:

Press and release "REGEN" (notice that flashing "REGEN TODAY" appears).

REGEN TODAY will flash if a regeneration is expected "Tonight."



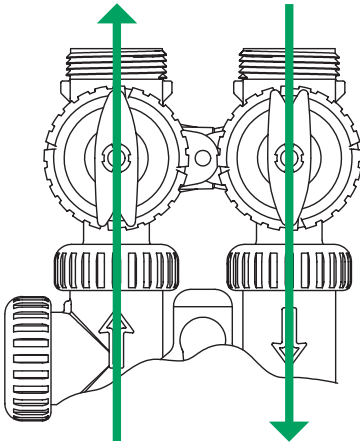
If the display toggles between "Error" and an error code (i.e. a number), call a service technician and report the error code.



To **shut-off water** to the system, please position arrow handles as shown in the **bypass operation** diagram below. If your valve doesn't look like the diagram below, contact your service technician for instructions on how to shut-off water.

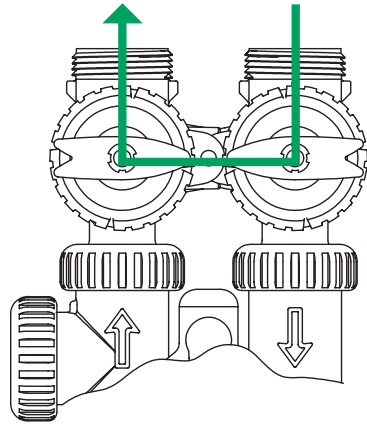
NORMAL OPERATION

Treated Water Exits
Supply Water Enters



BYPASS OPERATION

Supply Water Exits
Supply Water Enters



NOTES:

Installation date: _____

Injector color installed: _____

Drain Control size installed: _____

Hardness (gpg): _____

Water pressure: _____

Salt setting: _____

Iron (ppm): _____

Manganese (ppm): _____

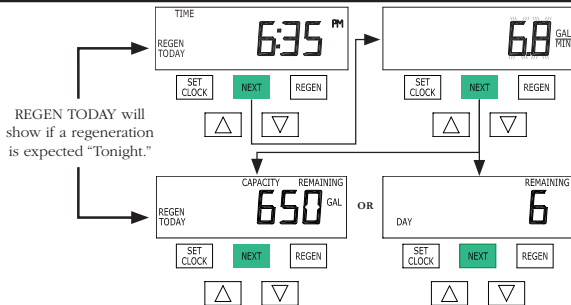
TDS (ppm): _____

pH: _____

PLEASE NOTE: For complete instructions refer to manual. Hand tighten nuts only.

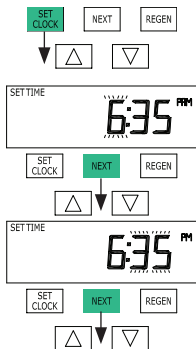
GENERAL OPERATION

When the system is operating, one of two display groups will be shown: Time of Day, Treated Water Flow Rate and Capacity Remaining or Time of Day, Treated Water Flow Rate and Days Remaining. Pressing "NEXT" will toggle between the choices.



TO SET TIME OF DAY

In the event of a prolonged power outage, time of day flashes, indicating that this needs to be reset. All other information will be stored in memory no matter how long the power outage. Please complete the steps as shown to the right. To access this mode, press "SET CLOCK."

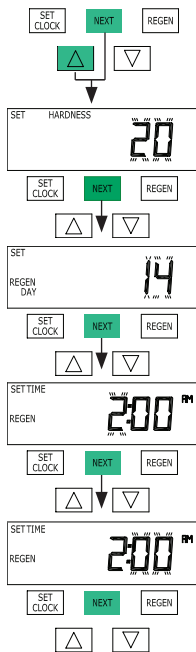


1. Accessed by pressing "SET CLOCK."
2. Adjust hours with ▲ or ▼ button, AM/PM toggles at 12.
3. Press "NEXT."
4. Adjust minutes with ▲ or ▼ button.
5. Press "NEXT" to complete and return to normal operation.

ADJUST HARDNESS, DAYS BETWEEN REGENERATIONS, OR TIME OF REGENERATION

For initial set-up or to make adjustments, please complete the steps as shown to the right. Access this mode by pressing "NEXT" and "▲" simultaneously.

NOTE: Hardness display shows "nA-" if used as a filter. If other displays do not appear, refer to manual.



1. Accessed by pressing "NEXT" and ▲ simultaneously.
2. Adjust hardness using ▲ or ▼ button.
3. Press "NEXT."
4. Adjust days between regenerations using ▲ or ▼ button.
5. Press "NEXT."
6. Adjust time of regeneration hour with ▲ or ▼ button, AM/PM toggles at 12.
7. Press "NEXT."
8. Adjust time of regeneration minutes with ▲ or ▼ button.
9. Press "NEXT" to complete and return to normal operation.



Clean Water Solutions

WATER CONDITIONER SYSTEM LIMITED WARRANTY

Clean Water Solutions Inc. guarantees that the components used in the assembly of your new water conditioner system are of quality materials and workmanship. When properly installed and maintained they will provide years of dependable service.

TEN-YEAR CONTROL & MINERAL TANK LIMITED WARRANTY

Clean Water Solutions Inc. warrants to the original purchaser that the residential water conditioner is free of defects in materials or workmanship. If a defect is detected or develops within a period of ten (10) years from the original date of purchase, Clean Water Solutions Inc., at its option, will supply replacement for any warranted defective component(s), free of charge provided that:

- 1) It was installed by Clean Water Solutions Inc., installed by an approved agent of Clean Water Solutions Inc., or the installation was approved by Clean Water Solutions Inc.
- 2) There was consecutive annual maintenance done on the system by Clean Water Solutions Inc., or by an approved agent of Clean Water Solutions Inc.
- 3) The component(s) is determined by Clean Water Solutions Inc. to be defective due to workmanship or materials and not due to neglect, abuse, freezing or other reasons beyond the control of Clean Water Solutions Inc.
- 4) The defective component(s) has been returned to Clean Water Solutions Inc. or an approved agent of Clean Water Solutions Inc. prepaid within 10 years of the date of purchase with proof of purchase.
- 5) Subject to the General Provisions below.

GENERAL PROVISIONS

As a consumable component of water conditioners, media is not included in the ten-year limited warranty and are warranted by Clean Water Solutions Inc. to the original purchaser for a period of one (1) year from the date of original sale to be free of defects in materials and workmanship.

This warranty does not cover damage resulting from water pressure more than 90 PSI (6 bar), vacuum conditions or heat from any origin more than 40 degrees Celsius (120 degrees Fahrenheit), lack of water pressure, or from any conditions outside of Clean Water Solutions Inc. control.

Clean Water Solutions Inc. carefully inspects and packs all goods prior to it leaving the factory. All shipments from Clean Water Solutions Inc. factory must be inspected upon delivery, as Clean Water Solutions Inc. accepts no responsibility for damage that occurs during shipment.

All labour, transportation, and freight costs in connection with repair or replacement of parts, tanks, conditioner media or complete units are expressly excluded from this warranty.

Clean Water Solutions Inc. assumes no responsibility for consequential damage, injury, labour or expense incurred as a result of the defect or for the failure to meet the terms of this warranty due to circumstances beyond the control of the Company.

Water conditioners are designed only to improve aesthetic properties and not designed to act as a barrier to waterborne microbiological or toxic chemical contamination.